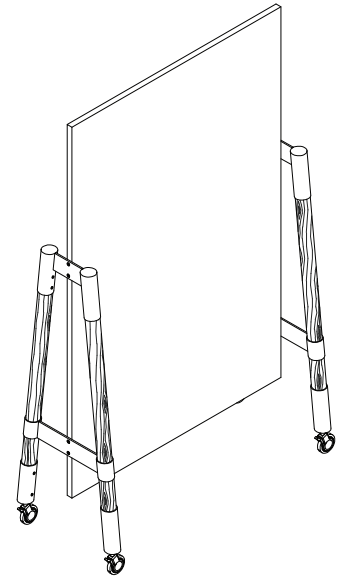




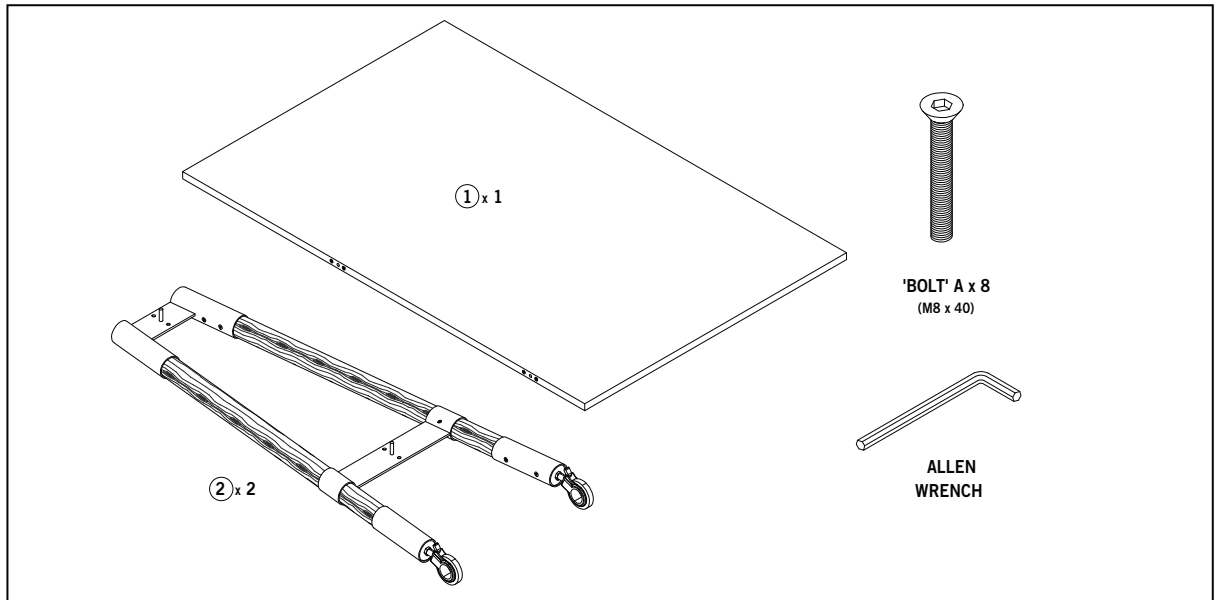
HIVE

ASSEMBLY

INSTRUCTIONS



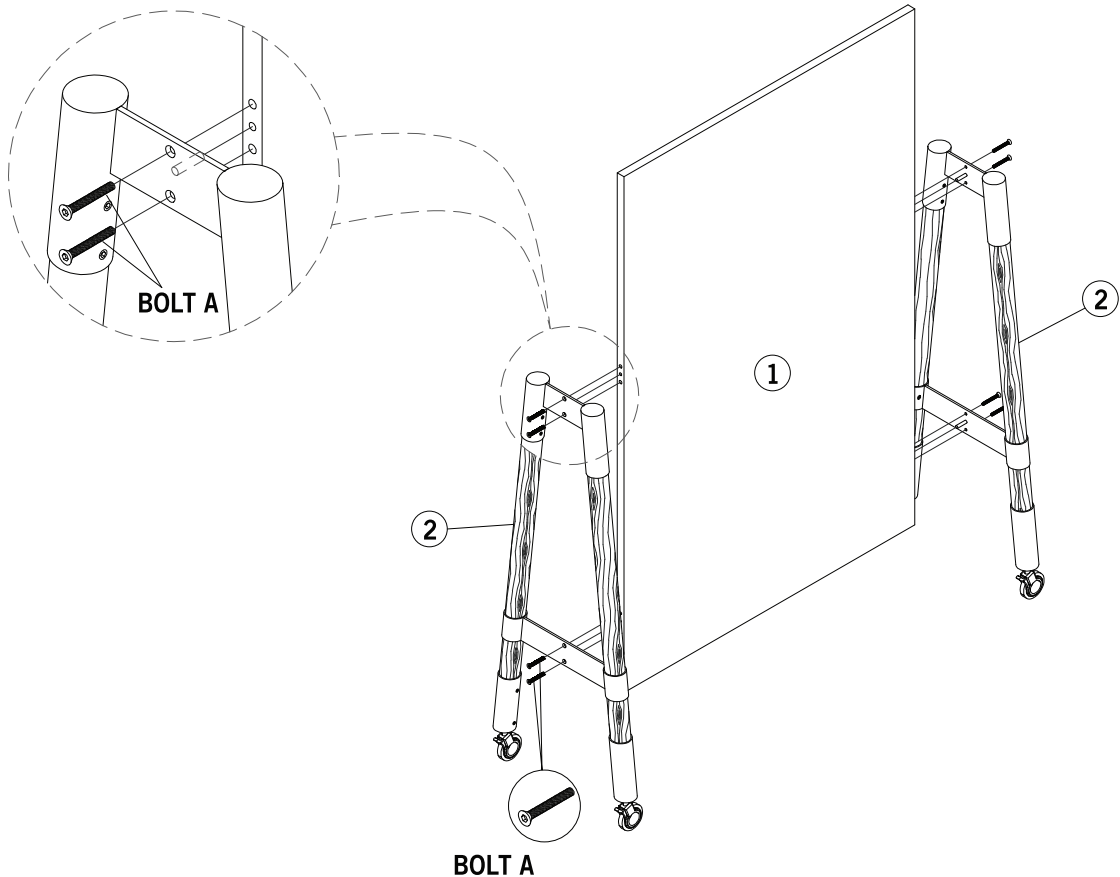
PARTS & HARDWARE



Contact IdeaPaint with questions, or for additional assembly information:
www.ideapaint.ca // csr@dundasmatheson.com // 1-888-316-2122

ASSEMBLY (1-2 PEOPLE)

1. LINE UP EDGE OF BOARD (PART①) WITH LEG (PART②) AS SHOWN.
2. HAND TIGHTEN 'BOLT A' INTO PLACE. FINISH TIGHTENING EACH BOLT WITH ALLEN WRENCH.
3. REPEAT PROCESS ON OTHER SIDE WITH SECOND LEG.
4. BEFORE USE, DAMPEN THE INCLUDED MICROFIBER CLOTH AND CLEAN EACH SIDE OF THE BOARD, REMOVING DUST OR PACKAGING DEBRIS THAT MAY HAVE SETTLED ON THE SURFACE.



Contact IdeaPaint with questions, or for additional assembly information:
www.ideapaint.ca // csr@dundasmatheson.com // 1-888-316-2122